

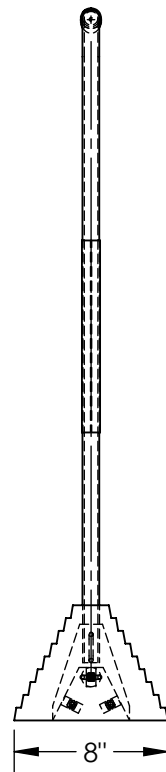
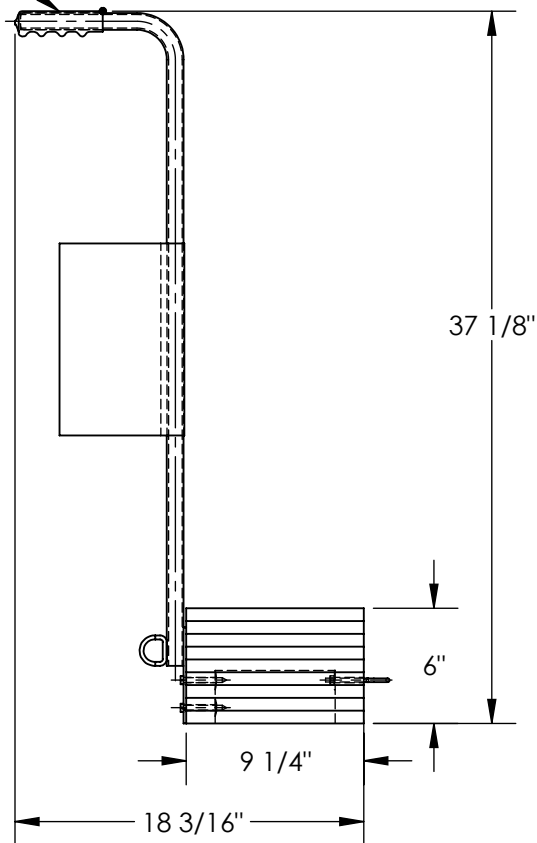
ERGO-HANDLE WHEEL CHOCK - RWC-8-ERGO-FL

APPROX WEIGHT: 13 lbs.
DOES NOT INCLUDE WEIGHT OF POWER OR PACKAGING!!!

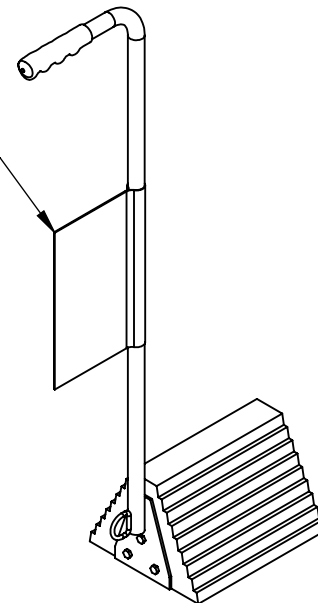
*** ANY ADDITIONS, DELETIONS, OR OMISSIONS MUST BE CORRECTED ON THIS DRAWING AS THIS DRAWING WILL BE CONSIDERED ALL INCLUSIVE ***

ALL GRAPHICS PROVIDED ARE FOR REFERENCE ONLY. IF CERTAIN DIMENSIONS ARE CRITICAL PLEASE VERIFY THOSE DIMENSIONS WITH YOUR SALESPERSON

RUBBER GRIP



ORANGE VINYL FLAG



DIMENSION TOLERANCE $\pm 1/4$ "

STANDARD FEATURES

MODEL NUMBER: RWC-8-ERGO-FL
 CHOCK WIDTH: 8"
 CHOCK LENGTH: 9 1/4"
 CHOCK HEIGHT: 6"
 OVERALL LENGTH: 18 3/16"
 OVERALL HEIGHT: 37 1/8"
 HANDLE COMES WITH RUBBER GRIP
 HIGH-VIS FLORESCENT ORANGE FLAG ON HANDLE
 TOUGH BAKED IN POWDER COATED YELLOW FINISH
 SHIPS KNOCKED DOWN

SPECIAL FEATURES

NONE

APPROVAL

I, THE UNDERSIGNED, AGREE THAT THE PRODUCT AS REPRESENTED SATISFIES DESIGN AND DIMENSION REQUIREMENTS. I ALSO ACKNOWLEDGE MY DUTY TO CONFIRM PRODUCT AND INSTALLATION COMPLIANCE WITH ALL APPLICABLE FEDERAL, STATE AND LOCAL REGULATIONS AND STANDARDS.
UNITS REQUIRING APPROVAL DRAWINGS OR MODIFIED ARE NON-RETURNABLE
 As drawn As marked

Signed: _____ Date: _____

Printed Name: _____

LEAD TIME WILL START UPON RECEIPT OF SIGNED APPROVAL DRAWING

DISTRIBUTOR'S NAME:		P.O.#
VESTIL MANUFACTURING		X
DRAWN BY: MAS		W.O.#
DATE: 08/02/2021		X
REFERENCE: X	SCALE: 1:10	SALES: X
QUOTED LEAD TIME: X	QUOTE #	FILE NAME:
	X	23-007-845